

GET-70DS Latch With Indicator

Features

- For inward opening
- Overlapped door application
- Wide gap between the door and panel prevents pinched fingers

Notes

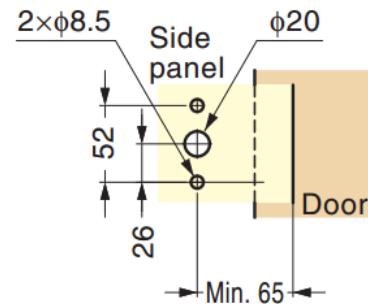
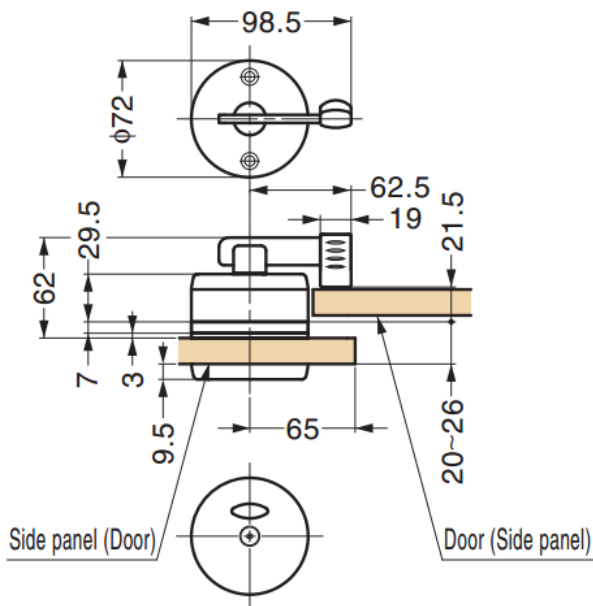
- Use optional spacer to suit required door thickness

Parts Included

- Hex key

Recommended Screw

- Hexagon top bolt M5×50
- Hexagon top bolt M5×55



Screw and Spacer Recommended

	Door Thickness 13 Sideboard Thickness 13	Door Thickness 16 Sideboard Thickness 16
Hexagon Top Bolt (M5x50)	2	0
Hexagon Top Bolt (M5x55)	0	2
GET-3 Spacer	0	1
GET-7 Spacer	1	1

Body

Part No.	Door / Panel Thickness	Material	Finish
GET-70DS	Door: 13, 16 Side Panel: 13, 16	Stainless Steel 304	Satin

Spacer (Sold Separately)

Part No.	Material	Colour	Thickness
GET-3	ABS	Black	3
GET-7			7